

POWER TERMINAL BLOCK

621 RZ XX

Replace “XX” with 01 through 30 for number of poles
Terminal Block - Closed Back



Wire Range

- Line/Load: #12 - #22 AWG
- 7/16" Center to Center Spacing

Electrical Ratings

- 20A (with unprepared wire)
- 30A (when wired with crimp type ring, spade, or fork terminal)
- 600 Volts AC/DC (UL 1059 Class B, User Group – Commercial Appliances)
- Short Circuit Current Rating: 10,000A (Default)
- Approved for Factory and Field Wiring.
- NOTE: Use outside these ratings must be judged in end-use application

Agency Compliance

- UL Recognized, UL 1059 Terminal Block Standard, File No. XCFR2.E62806
- CSA Certified, CSA C22.2 No. 158, File No. LR19766
- CE compliant, IEC 60947-7-1
- RoHS Compliant

Material Information

- Insulator base:
 - Thermoplastic
 - Flammability rating of insulator base UL94V0
 - Insulator base temperature rating: -40°C to 125°C (UL RTI)
- Connector - Brass, tin plated
- Drive screw (Rivet): Stainless steel
- Screw, #6-32 Binder head, Phil-Slot: Steel, nickel plated

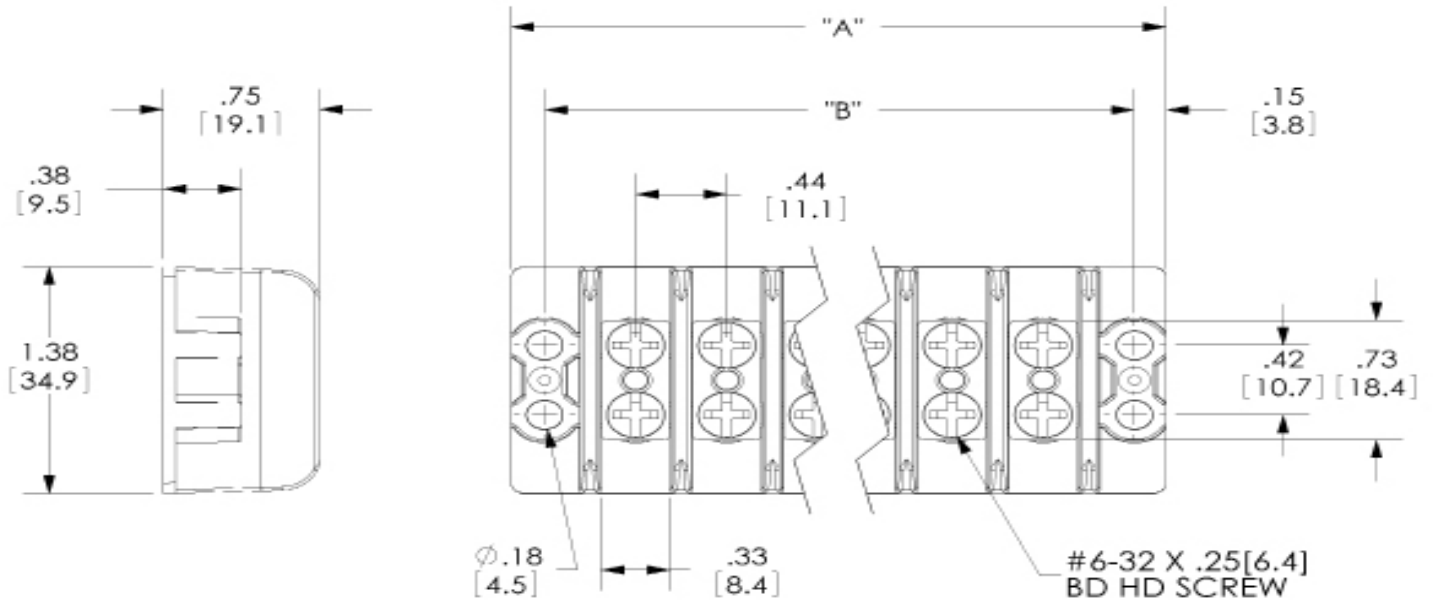
Wire Range

Wire Size	Torque	Copper Wire Stranding Classes - Number of Conductors		
		Solid	Class B	Class C
-	-			
12	9 in. Lbs	1	1	1
14	9 in. Lbs	1	1	1
16	9 in. Lbs	1	1	1
18	9 in. Lbs	1	1	1
20	9 in. Lbs	1	1	1
22	9 in. Lbs	1	1	1

Mounting:

- #6 Fastener Mounting torque to be determined in end use application not to exceed 15 lb-in (1.7 Nm)

Drawing



Catalog No	# of Poles	Dimensions		X	Catalog No	# of Poles	Dimensions	
		A	B				A	B
621 RZ 01	1	1.19	0.88	X	621 RZ 16	16	7.75	7.44
621 RZ 02	2	1.62	1.31	X	621 RZ 17	17	8.19	7.88
621 RZ 03	3	2.06	1.75	X	621 RZ 18	18	8.62	8.31
621 RZ 04	4	2.50	2.19	X	621 RZ 19	19	9.06	8.75
621 RZ 05	5	2.94	2.63	X	621 RZ 20	20	9.50	9.19
621 RZ 06	6	3.37	3.06	X	621 RZ 21	21	9.93	9.62
621 RZ 07	7	3.81	3.50	X	621 RZ 22	22	10.37	10.06
621 RZ 08	8	4.25	3.94	X	621 RZ 23	23	10.81	10.50
621 RZ 09	9	4.68	4.37	X	621 RZ 24	24	11.24	10.93
621 RZ 10	10	5.12	4.81	X	621 RZ 25	25	11.68	11.37
621 RZ 11	11	5.56	5.25	X	621 RZ 26	26	12.12	11.81
621 RZ 12	12	5.99	5.68	X	621 RZ 27	27	12.55	12.24
621 RZ 13	13	6.43	6.12	X	621 RZ 28	28	12.99	12.68
621 RZ 14	14	6.87	6.56	X	621 RZ 29	29	13.43	13.12
621 RZ 15	15	7.31	7.00	X	621 RZ 30	30	13.86	13.55
Top mounted hardware is .250" wide							MM = Dim X 25.4	